



TT BATARYA SARJ UNITESI-ENTEGRE-24V-50A
SRJ-TT-AC-ENT-24V-50A



PFC \geq 0.98



Overvoltage protection



Over temperature protection



Short circuit protection

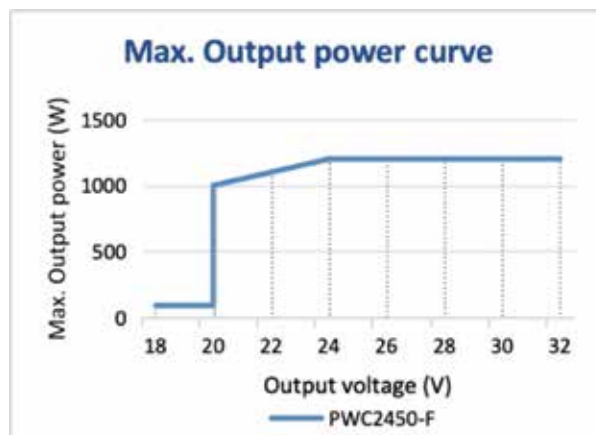
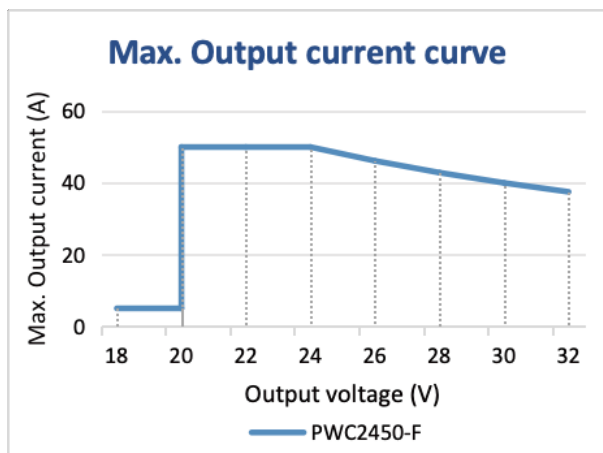


IP65 Waterproof

Technical Data

| Model | SRJ-TT-AC-ENT-24V-50A |
|-------------------------|--|
| Input | |
| Voltage range | 90 ~ 264VAC |
| Frequency range | 45 ~ 65Hz |
| Input current(Typ.) | 6.06A/220VAC 12.12A/110VAC |
| Power Factor(Typ.) | ≥0.98 (Tested when the power is above half power) |
| Inrush current(Typ.) | Cold start 50A at 220VAC |
| Max. Efficiency(Typ.) | 93%(220V); 91%(110V) |
| Leakage current | <0.5mA/220VAC |
| Output | |
| Charging phase | Pre-charge + constant current + constant voltage |
| Max. output power | 1200W |
| Max. output Voltage | 32V |
| Max. output current | 50A |
| Constant voltage | 28.8V(LiFePO4 in 8 Series)/ 25.2V(NMC in 6 Series)/ 29.4 V(NMC in 7 series) |
| Max. current ripple | 500mA _{p-p} |
| Static power | <3W |
| Protection | |
| Short circuit | Yes |
| Over temperature | Yes |
| Function | |
| Indicator light | Yes |
| Environment | |
| Cooling | Fan cooling |
| Waterproof | IP65 |
| Working Temp. | -20 ~ 50 C |
| Working humidity | 10% ~ 90% RH non-condensing |
| Storage temp., humidity | -40 ~ 80 C, 10% ~ 90% RH non-condensing |
| Vibration resistant | 10 ~ 500HZ, 2G 10 minutes/cycle, X, Y, Z axis each 60 minutes |
| SAFETY & EMC | |
| Safety standards | GB/T4706 |
| Withstand voltage | I/P-O/P: 2KVAC I/P-FG: 2KVAC O/P-FG: 2KVAC |
| Isolation resistance | I/P-O/P, I/P-FG, O/P-FG: 100M ohms/500VDC/25 C /70%RH |
| EMC emission | GB/T 9254 Class A |
| EMC immunity | GB/T17618 |
| Indicator state | |
| Yellow indicator | Steady on: almost full; 0.5S cycle flashing: initial power-on |
| Green indicator | Steady on: fully charged; 1S cycle flashing: battery not connected |
| | Steady on: charging; 0.5S cycle flashing: the battery is reversed |
| Red indicator | 1S period blinking: output overcurrent; 2S period blinking: high battery voltage |
| | 3S period blinking: low battery voltage; 4S period blinking: The Charger is overheated |
| | 5S cycle flashing: battery failure |
| Others | |
| MTBF | >100K hours |
| Weight | 5.0kg |
| Dimensions | 335*192*149mm |

Charging curve



Optional Cable

AC Charger Plugs



DC Charger Plugs

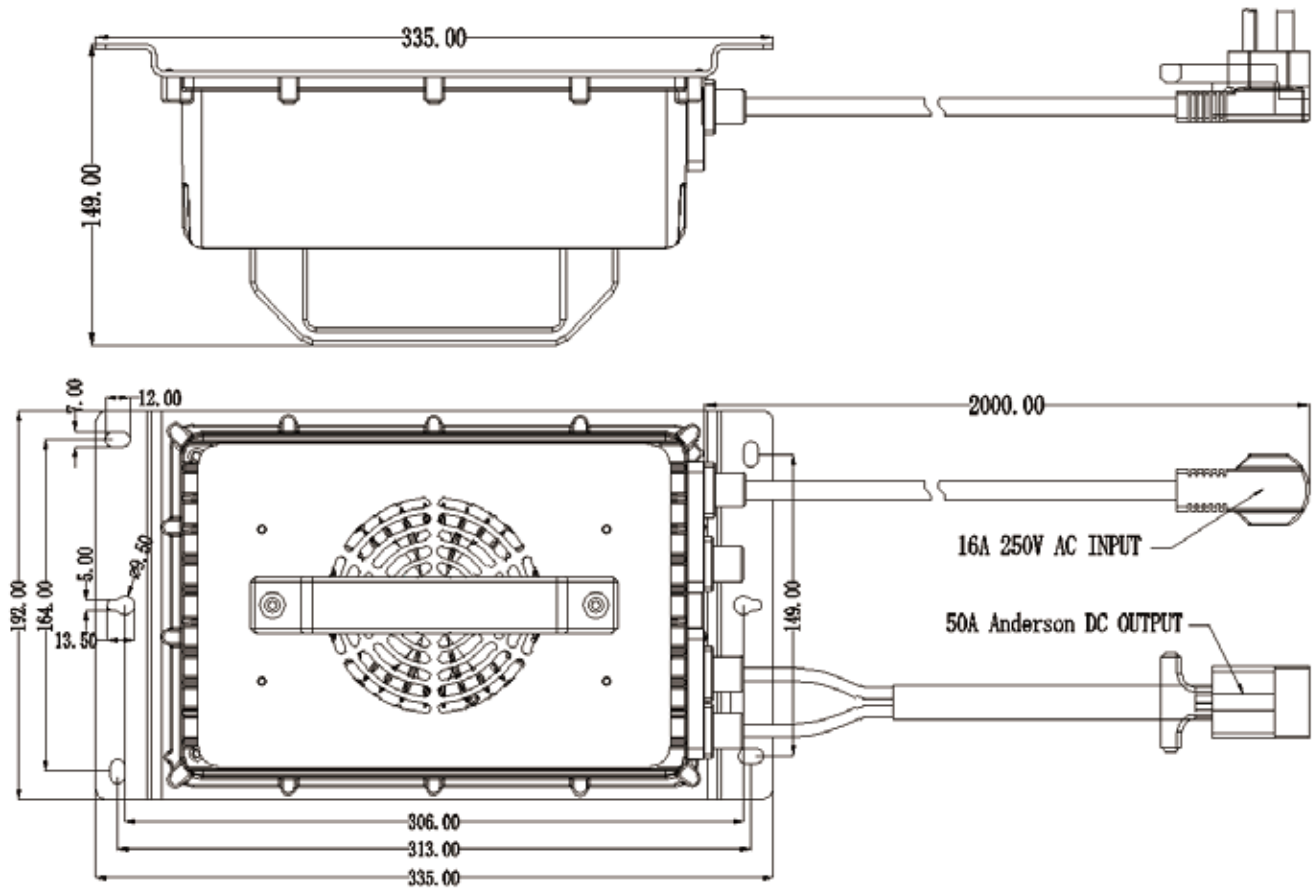


Note: standard cable length is 2m.

Application scenarios



Product Dimensions



(Unit: mm)