



TT BATARYA SARJ UNITESI-MOBIL-72V-80A

SRJ-TT-AC-MBL-72V-80A



PFC  $\geq 0.98$



Overvoltage protection



Over temperature protection



Short circuit protection

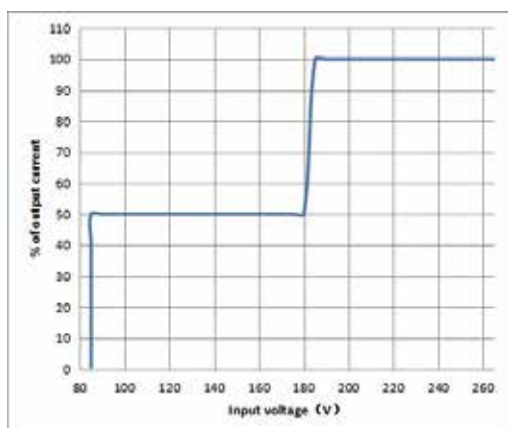


IP32

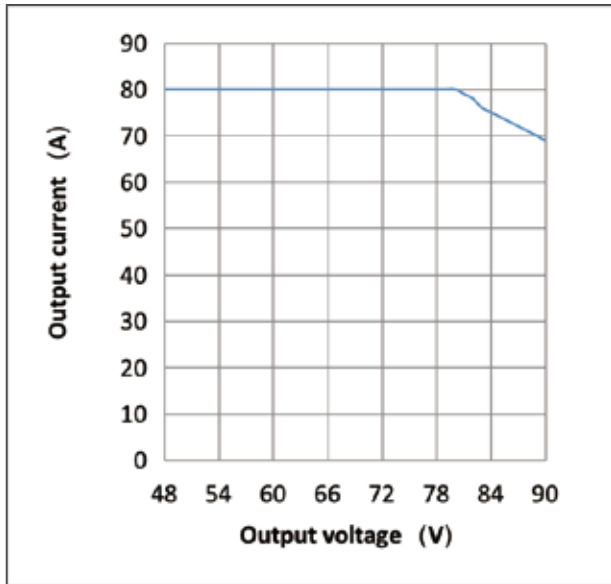
## Technical Data

Model		SRJ-TT-AC-MBL-72V-80A
<b>Input</b>		
Voltage range		90 ~ 264VAC
Frequency range		47Hz ~ 60Hz
Wiring		L、N、 PE
Rated input current		≤32A
Power factor		≥0.99@220Vac 50-100% Load
<b>Output</b>		
Output Voltage		48 ~ 90VDC
Max. Output Power		10A-80A
Max. Output Current		6400W(190Vac ~ 264Vac)
Voltage regulation accuracy		≤±0.5%Vo
Ripple and Noise		≤±2%Vo @ 25 C output full-load (Bandwidth≤20MHz)
<b>Protection</b>		
Output overcurrent		110% output off (Automatic recovery) , 120% stop charging (Need to restart)
Output overvoltage		Stop charging when output voltage is greater than the setted voltage 3V
Input overvoltage		270±2Vac output off, 265±2Vac output recovery
Input undervoltage		85±2Vac close the output, 90±2Vac output recovery
Low input voltage derating		90Vac-180Vac output current limited to 50% of the maximum current, Input voltage > 185Vac return to full power output
<b>Environment</b>		
Working Temp.		-20 C ~ +55 C (>40 C derating)
Working humidity		20%-90% (non-condensing)
Storage temp., humidity		-25 C ~ +75 C , 10 ~ 90% RH
Altitude		≤2000m
<b>System</b>		
Efficiency		≥92.5%@220Vac 50-100% load (highest over 94%)
Communication method		RS485/CAN
Dimensions		352.4mm×279.4mm×183.8mm
Weight		14.5kg
Color		Blue color
<b>Indicator state</b>		
Standby		Green light flashing
Charging		Steady green light
Fault		Steady red light

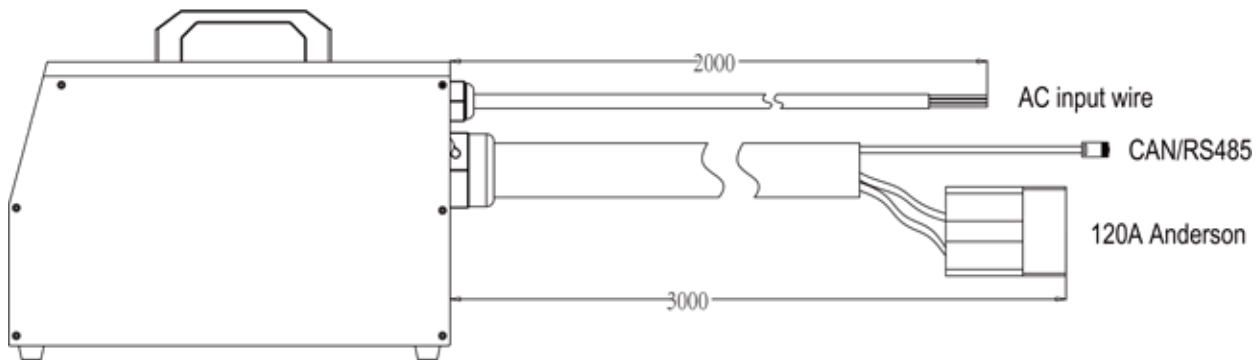
## Input Characteristic Curve



## Output Characteristic Curve



## Wiring Instructions

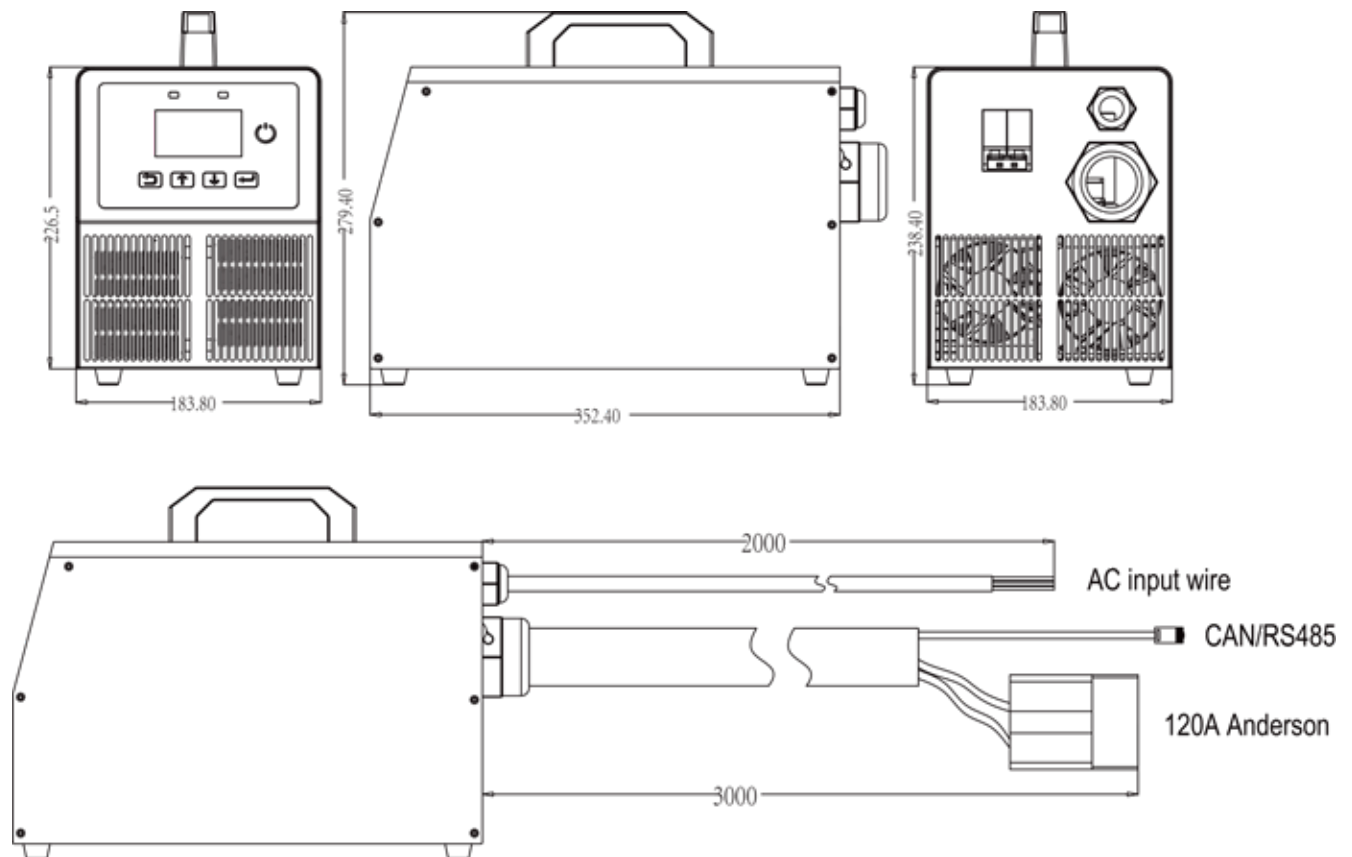


Signal name	Terminal model	Pin number	Pin Description
AC Input	E6012 tubular terminal block	Brown	L
		Blue	N
		Yellow-Green	PE
Battery	120A Anderson	Red	BAT+
		Black	BAT-
CAN	RJ45	1、 2、 3、 6、 8	NC
		4	CANH
		5	CANL
		7	GND
RS485	RJ45	1	485-B
		2	485-A
		3	GND
		4、 5、 6、 7、 8	NC

### Application scenarios



### Product Dimensions



(Unit: mm)