



**TT CHARGER-LFP-WATERPROOF-24V-30AT
CHGR-TT-LFP-WP-24V-30A-F**



PFC ≥ 0.98



Overvoltage protection



Over temperature protection



Short circuit protection

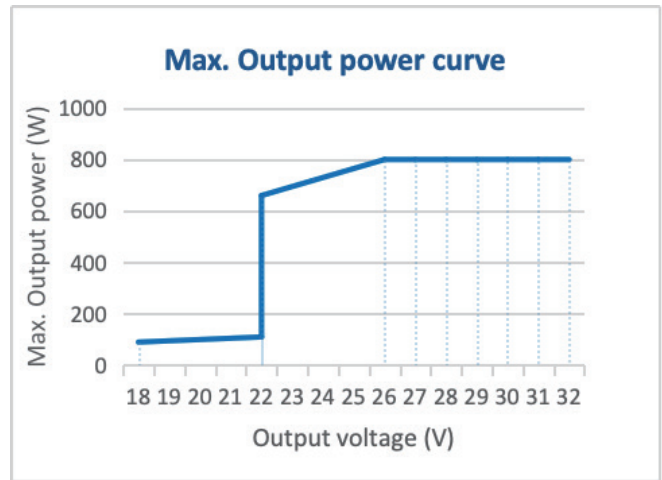
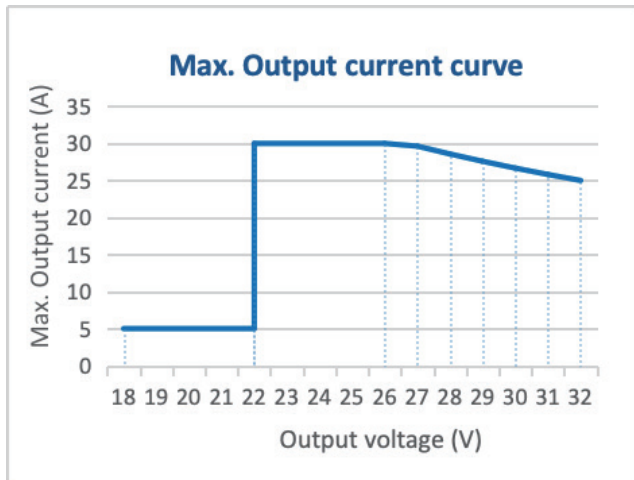


IP65 Waterproof

Technical Data

Input		CHGR-TT-LFP-WP-24V-30A-F
Voltage range		90~264VAC
Frequency range		45~65Hz
Input current(Typ.)		8A/110VAC 4A/220VAC
Power Factor(Typ.)		≥0.98 (Tested when the power is above half power)
Inrush current(Typ.)		Cold start 50A at 110VAC
Max. Efficiency(Typ.)		93%(220VAC); 91%(110VAC)
Leakage current		<0.5mA/110VAC
Output		
Charging phase		Pre-charge + constant current + constant voltage
Max. output power		800W
Max. output Voltage		32V
Max. output current		30A
Constant voltage		28.8V(LiFePO4 in 8 Series)/ 25.2V(NMC in 6 Series)/ 29.4 V(NMC in 7 series)
Max. current ripple		500mAp-p
Static power		<3W
Protection		
Short circuit		Yes
Over temperature		Yes
Function		
Indicator light		Yes
Environment		
Cooling		Fan cooling
Waterproof		IP65
Working Temp.		-20~50°C
Working humidity		10%~90% RH non-condensing
Storage temp., humidity		-40~80°C, 10%~90% RH non-condensing
Vibration resistant		10~500HZ, 2G 10 minutes/cycle, X, Y, Z axis each 60 minutes
SAFETY & EMC		
Safety standards		GB/T4706
Withstand voltage		I/P-O/P: 2KVAC I/P-FG: 2KVAC O/P-FG: 2KVAC
Isolation resistance		I/P-O/P, I/P-FG, O/P-FG: 100M ohms/500VDC/25 /70%RH
EMC emission		GB/T 9254 Class A
EMC immunity		GB/T17618
Indicator state		
Yellow indicator		Steady on: almost full; 0.5S cycle flashing: initial power-on
Green indicator		Steady on: fully charged 1S cycle flashing: battery not connected Steady on: charging 0.5S cycle flashing: the battery is reversed
Red indicator		1S period blinking: output overcurrent 2S period blinking: high battery voltage 3S period blinking: low battery voltage 4S period blinking: The Charger is overheated 5S cycle flashing: battery failure
Others		
MTBF		>100K hours
Weight		3.15kg
Dimensions		289*158*82 mm

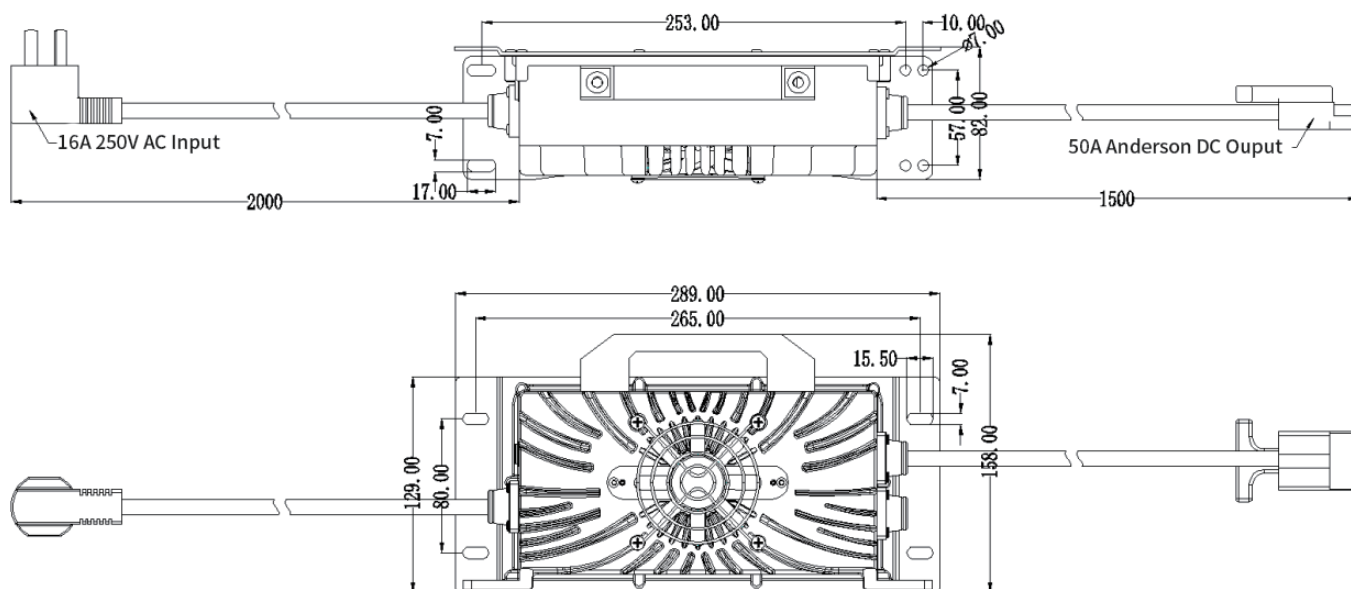
Charging Curve



Application Scenarios



Product Dimensions



(Unit: mm)