



Single Phase Hybrid Inverter
Uno Hybrid K-Series
3.0/ 3.7/ 5.0/ 6.0/ 7.5



Simple. Reliable. Efficient.



Low Start-Up
Voltage



High
Efficiency



Remote
Monitoring



IP65
Rated



Hybrid
Solution

3.0kW

3.7kW

5.0kW



**Uno-Hybrid-K-3.0/ Uno-Hybrid-K-3.7/ Uno-Hybrid-K-5.0/
Uno-Hybrid-K-6.0/ Uno-Hybrid-K-7.5**

TommaTech®'s Uno-Hybrid K-Series single phase inverters with a maximum efficiency of 97.6%, advanced PV array power, lower start-up voltage of 90V and maximum PV string voltage of 600V are compatible with our high voltage lithium ion as well as regular lead acid batteries. It offers plug and play installation and optimizes self-consumption through export control. There are five power options between 3.0 kW and 7.5 kW.



	Uno-Hy-K-3.0	Uno-Hy-K-3.7	Uno-Hy-K-5.0	Uno-Hy-K-6.0	Uno-Hy-K-7.5
DC INPUT					
Max. PV Array Input Power [Wp]	4500	5500	7500	9000	10000
Max. PV Input Voltage [V]			600		
Start Output Voltage [V]			90		
Nominal Input Voltage [V]			360		
MPPT Voltage Range [V]			70~550		
Number of MPPTs / Strings per MPPT			2(1/1)		
Max. Input Current (MPPT A / MPPT B) [A]			16/16		
Max. Short Circuit Current (MPPT A / MPPT B) [A]			20/20		
AC INPUT & OUTPUT					
Nominal AC Output Power [W]	3000	3680	5000(4600 for DE)	6000	7500(6900 for PEA)
Max. AC Output Apparent Power [VA]	3300	3680	5500(4600 for DE)	6600	7500(7300 for PEA)
Max. AC Output Current [A]	14.4	16.0	23.9(20 for DE)	28.6	32.6(33 for PEA)
Max. AC Input Apparent Power [VA]	6300	7360	9200	9200	9200
Max. AC Input Current [A]	27.4	32.0	40.0	40.0	40.0
Nominal AC Voltage [V]			230~240		
Nominal Grid Frequency[Hz]			50/60		
Displacement Power Factor			0.8 Leading ~ 0.8 Lagging		
THDi (Rated Power) [%]			<2		
BATTERY DATA					
Battery Type			Li-ion battery / Lead-acid battery		
Battery Voltage Range [V]			80-480		
Max. Continuous Charge/Discharge Current [A]			30		
EPS OUTPUT (WITH BATTERY)					
Nominal Output Power [W]	3000	3680	5000	6000	7500
Peak Apparent Power [VA]	3600,1h	4416,1h	6000,1h	7200,10min	7500
Max. Continuous Current [A]	13	16	21.7	26.1	32.6
Nominal Voltage [V]; Frequency [Hz]			230; 50/60		
Switch Time [ms]			<10		
Parallel Operation			Yes		
SYSTEM DATA					
Max. Efficiency [%]			97.6		
Euro. Efficiency [%]			97.0		
Battery Charge/Discharge Efficiency [%]			97.0/97.0		
Ingress Protection			IP65		
Operating Temperature Range [°C]			-35~+60 (Derating at>45)		
Max. Operation Altitude [m]			3000		
Humidity [%]			0~100		
Typical Noise Emission [dB]					
Storage Temperature [°C]			<30 -40~+65		<45
Dimensions [WxHxD] [mm]			482x417x181		
Net Weight [kg]			24		25
Cooling Concept			Natural cooling		Smart cooling
Communication Interfaces			CT/ Uno Smart Meter(Optional) / External Control RS485/ Dongle Wi-Fi /Dongle LAN (Optional)/ DRM USB Upgrade/ NTC		
POWER CONSUMPTION					
Standby Consumption [W]			<3W For Cold Standby		
STANDARD					
Safety			EN/IEC62109-1/-2		
EMC			EN61000-6-1/2/3/ 4; EN61000-3-2/3/11/12		
Certification			CE, VDE4105, EN50549		

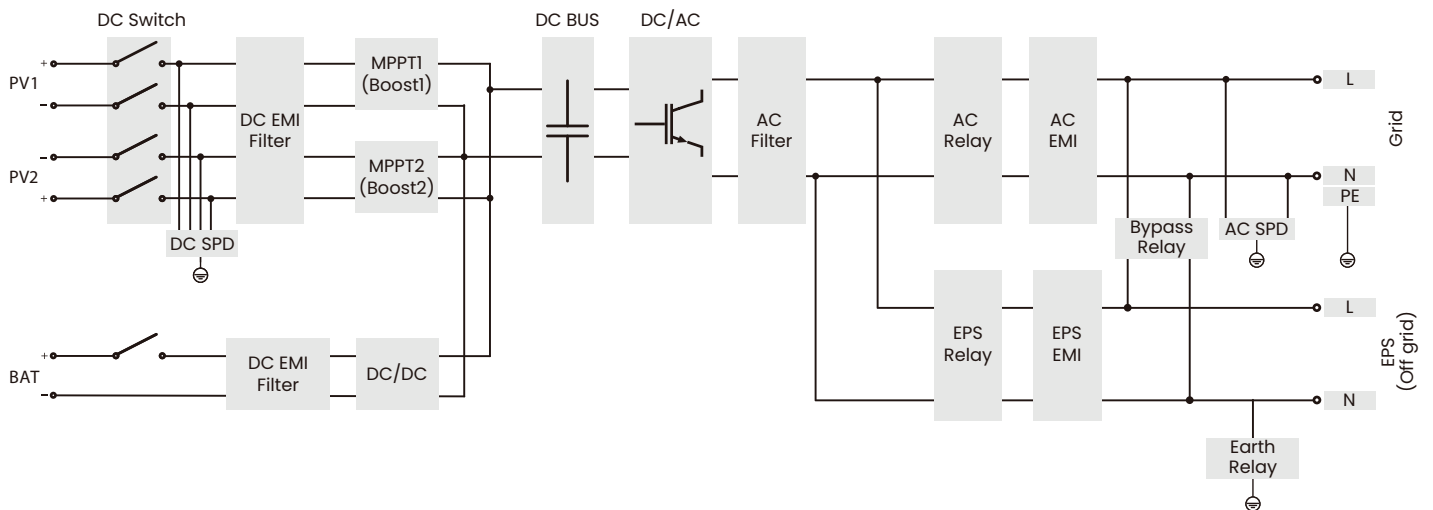
Uno-Hy-K-3.0 Uno-Hy-K-3.7 Uno-Hy-K-5.0 Uno-Hy-K-6.0 Uno-Hy-K-7.5

PROTECTION

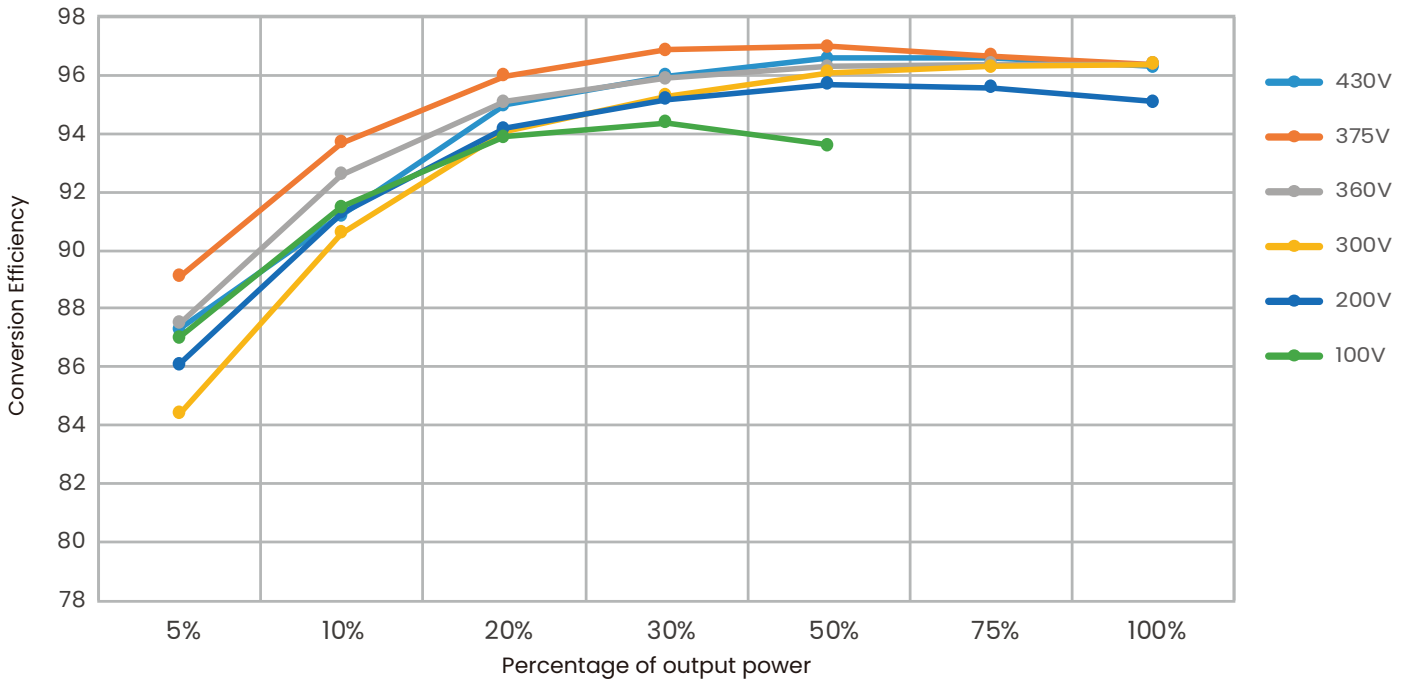
Anti-Islanding Protection		Yes
DC Reverse Polarity Protection		Yes
Insulation Monitoring		Yes
Residual Current Monitoring		Yes
AC Overcurrent Protection		Yes
AC Short-circuit Protection		Yes
AC Overvoltage Protection		Yes
AFCI		OPT
Surge Protection	Type II, DC and AC	

*Indicates that all model single PV1 & PV2 input power upper limit is 5000 W. (*Max. PV input power^① (PV1+PV2)* restriction takes precedence).
 *PV to BAT Max. efficiency 97.0%, BAT to AC Max. efficiency 97.0%.

CIRCUIT DIAGRAM



EFFICIENCY CURVE



DERATING CURVE

